



LT18B3-86-UAF1-P22 5.0MM ROUND LAMP BLUE

Features

- InGaN TECHNOLOGY
- HIGH POWER OUTPUT
- 25 DEGREE VIEW ANGLE FOR MAXIMUM LIGHT OUTPUT

Absolute Maximum Ratings at $T_A=25^\circ\text{C}$

REVERSE VOLTAGE ($<50 \mu\text{A}$).....	5.0V
D.C. FORWARD CURRENT.....	20mA
PULSE CURRENT (1/10 DUTY CYCLE, 0.1 ms PULSE WIDTH).....	100 mA
OPERATING TEMPERATURE RANGE.....	-25°C TO +85°C
STORAGE TEMPERATURE RANGE.....	-25°C TO +100°C
LEAD SOLDERING TEMP. (1.6mm FROM BODY).....	260°C FOR 5 SEC.
ELECTROSTATIC DISCHARGE THRESHOLD (HBM)	300 V

Precautions:

These products are sensitive to static electricity; high standard of care must be fully taken when handling them. Particularly if an over-voltage that exceeds the Absolute Maximum Rating of these products were applied, the overflow energy will cause damage to and possibly result in destruction of these products. Buyer shall take absolute secure countermeasures against static electricity and surge when handling these products. Ledtech give no other assurance regarding the ability of product to withstand ESD.



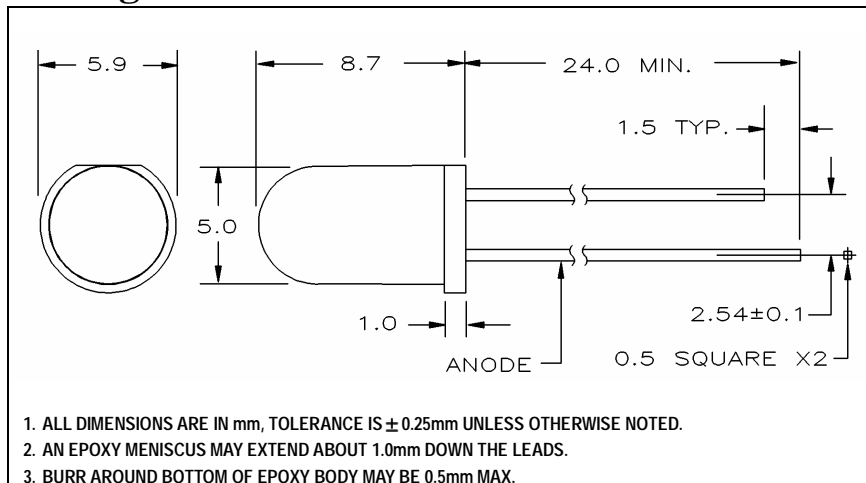
Electrical/Optical Characteristics at $T_A=25^\circ\text{C}$

PART NUMBER	LED CHIP		LENS COLOR	WAVELENGTH TYP.		FORWARD VOLTAGE @20mA(V)		LUMINOUS INTENSITY @20mA(mcd)		VIEW ANGLE $2\theta_{1/2}$ (deg)
	MATERIAL	EMITTING COLOR		$I_f @ 20\text{mA}$ (nm)		TYP.	MAX.	MIN.	TYP.	
				λ_p	λ_d					
LT18B3-86-UAF1-P22	InGaN	BLUE	W.C.	465 ± 10	470 ± 10	3.6	4.0	550	950	25

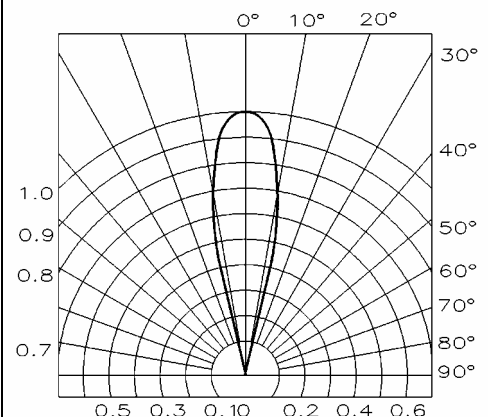
(1) Lens Color:
W.C....Water Clear

- (2) Specifications are subject to change with out notice.
 (3) All above components are considered; deviations from stated specifications will require a new part number to be assigned.

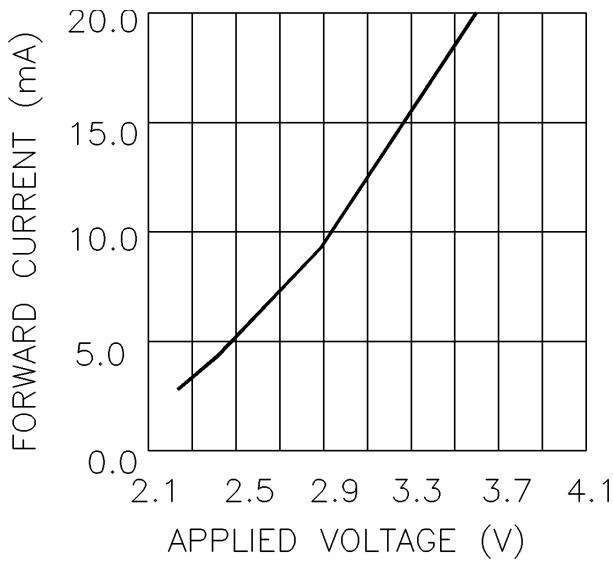
Package Dimensions



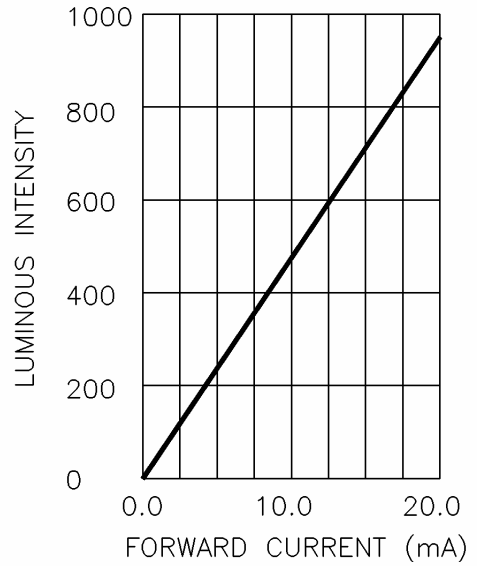
Radiation Pattern



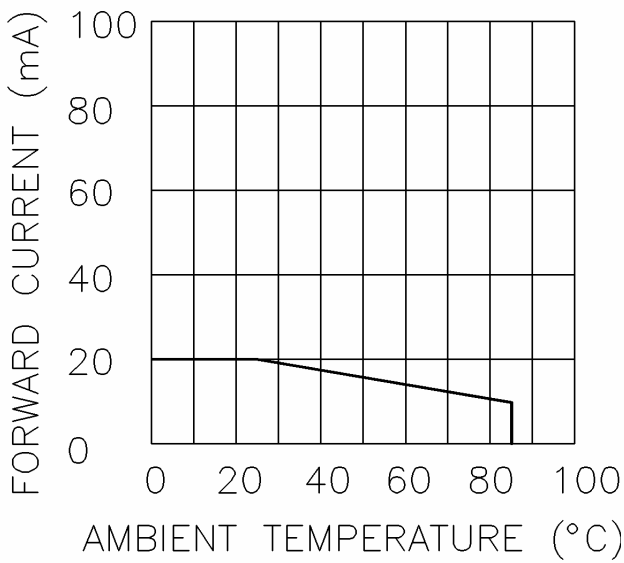
Forward Current vs. Applied Voltage



Luminous Intensity vs. Forward Current



Forward Current vs. Ambient Temperature



Relative Intensity vs. Wavelength

