



TAPED AND REELED LED LAMPS (FORMED LEADS)

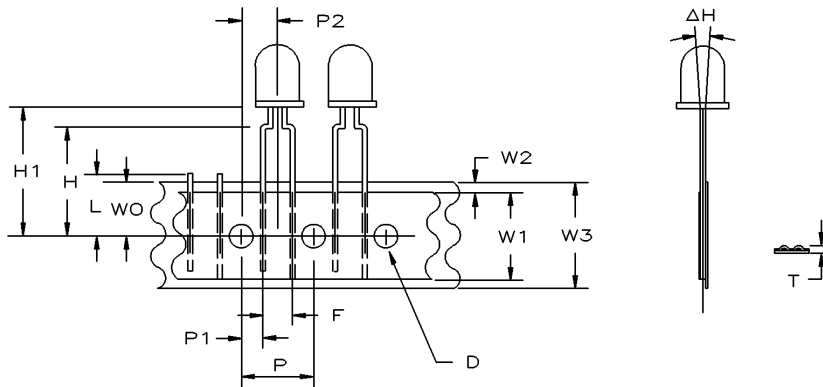
Features

- * COMPATIBLE WITH RADIAL LEAD AUTO INSERTION EQUIPMENT
- * 3mm/5mm ROUND AND 2X5mm RECTANGULAR LAMPS AVAILABLE
- * PACKAGED ON TAPE AND REEL
- * 5.08mm FORMED LEADS

Description

THE ABSOLUTE MAXIMUM RATINGS, ELECTRICAL/OPTICAL CHARACTERISTICS AND PACKAGE DIMENSIONS FOR LAMPS PACKAGED ON T/R ARE IDENTICAL TO THE BASIC DEVICE. 3mm ROUND AND 5mm ROUND/2X5mm RECTANGULAR LAMPS ARE PACKAGED 2000 PER REEL RESPECTIVELY.

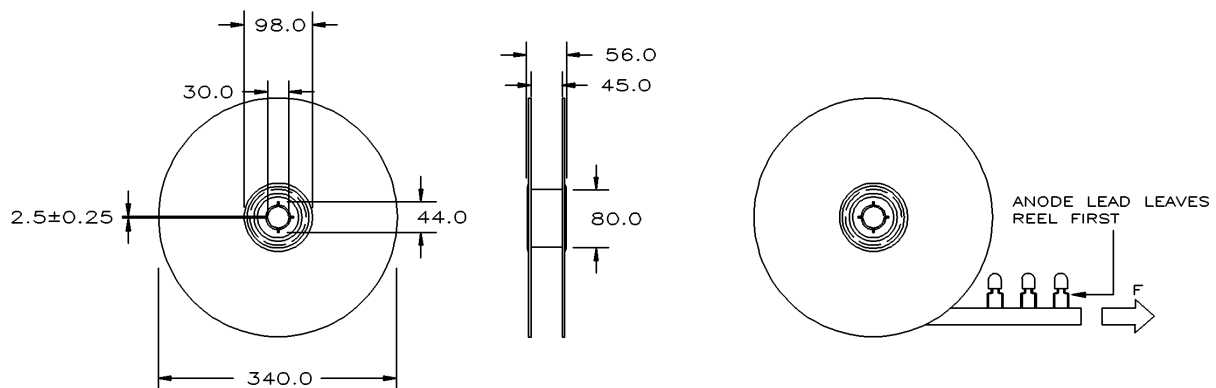
Dimensions for Tape



Electrical/optical characteristics at $T_A=25^\circ\text{C}$

PART NUMBER	SYMBOL	SPECIFICATION		PART NUMBER	SYMBOL	SPECIFICATION	
		MINIMUM (mm)	MAXIMUM (mm)			MINIMUM (mm)	MAXIMUM (mm)
SAME SPECIFICATION FOR ALL LAMPS	D	3.8	4.2	SAME SPECIFICATION FOR ALL LAMPS	P	12.4	13.0
	F	4.8	5.8		P1	3.0	4.4
	ΔH	-----	2.0		P2	5.05	7.65
	H	15.5	16.5		T	-----	1.42
	L	W0	11.0		W0	8.75	9.5
LTXXX-XX-TAL	H1	19.0	21.0		W1	14.5	15.5
LTXXX-XX-TAM		20.5	22.5		W2	0	4.0
LTXXX-XX-TAN		22.0	24.0		W3	17.5	19.0

Dimensions for Reel



NOTE:

1. ALL DIMENSIONS ARE IN mm, TOLERANCE IS $\pm 2.0\text{mm}$ UNLESS OTHERWISE NOTED.
2. SPECIFICATIONS ARE SUBJECT TO CHANGE WITHOUT NOTICE.