



# LT9C73-89-UR

## 5.0MM ROUND LAMP

### Features

- \* LOW CURRENT REQUIREMENTS
- \* HIGH LIGHT OUTPUT
- \* RELIABLE AND RUGGED
- \* IC COMPATIBLE

### Absolute Maximum Ratings at $T_A=25$

REVERSE VOLTAGE (<100 A).....	4.0 V
D.C. FORWARD CURRENT.....	30mA
PULSE CURRENT (1/10 DUTY CYCLE,0.1 ms PULSE WIDTH).....	100 mA
OPERATING TEMPERATURE RANGE.....	-25 TO + 85
STORAGE TEMPERATURE RANGE.....	-25 TO +100
LEAD SOLDERING TEMP. (1.6mm FROM BODY).....	260 FOR 5 SEC.

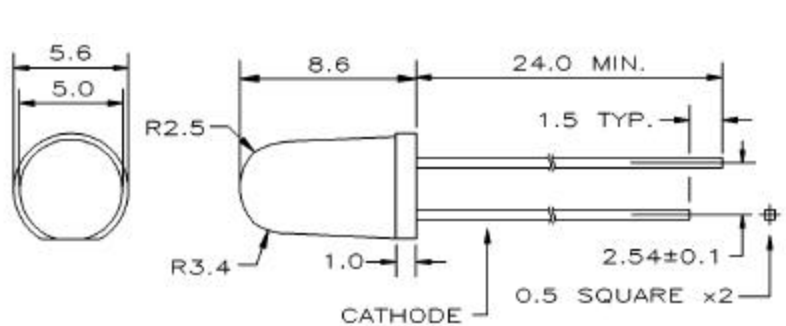
### Electrical/Optical Characteristics at $T_A=25$

PART NUMBER	LED CHIP		LENS COLOR	WAVELENGTH TYP. $I_f @20mA$ (nm)		FORWARD VOLTAGE @20mA(V)		LUMINOUS INTENSITY @20mA(mcd)		VIEW ANGLE $2 \theta$ (deg)
	MATERIAL	EMITTING COLOR		p	d	TYP.	MAX.	MIN.	TYP.	
LT9C73-89-UR	GaAlAs	DDH RED	W.C.	660.75	643.75	1.9	2.4	200	350	15

(1) LENS COLOR  
W.C....WATER CLEAR

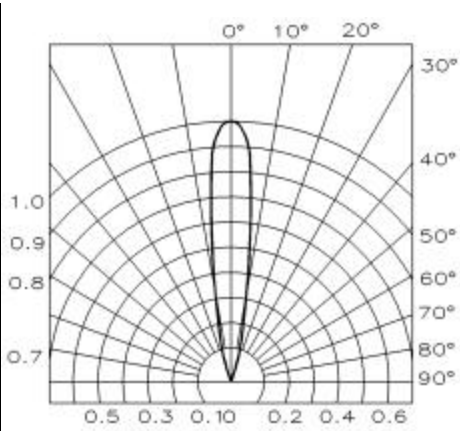
(2) SPECIFICATIONS ARE SUBJECT TO CHANGE WITHOUT NOTICE.  
(3) ALL ABOVE COMPONENTS ARE CONSIDERED . DEVIATIONS FROM STATED SPECIFICATIONS WILL REQUIRE A NEW PART NUMBER BE ASSIGNED .

### Package Dimensions

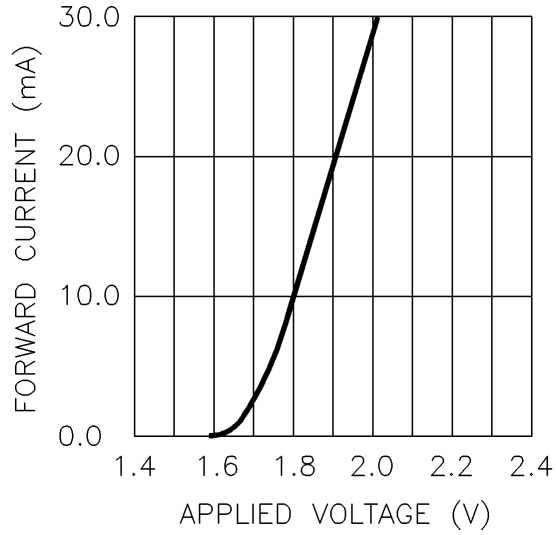


1. ALL DIMENSIONS ARE IN mm, TOLERANCE IS  $\pm 0.25$  mm UNLESS OTHERWISE NOTED.
2. AN EPOXY MENISCUS MAY EXTEND ABOUT 1.0mm DOWN THE LEADS.
3. BURR AROUND BOTTOM OF EPOXY BODY MAY BE 0.5mm MAX.

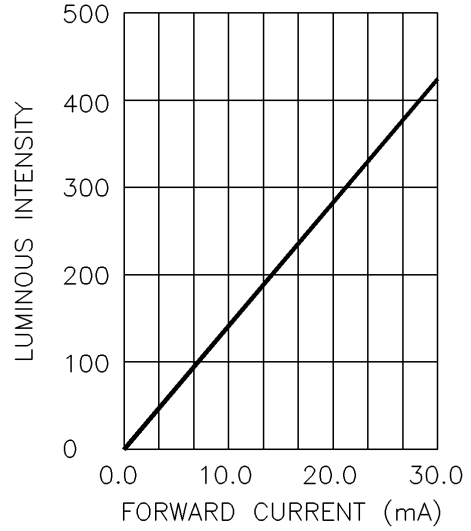
### Radiation Pattern



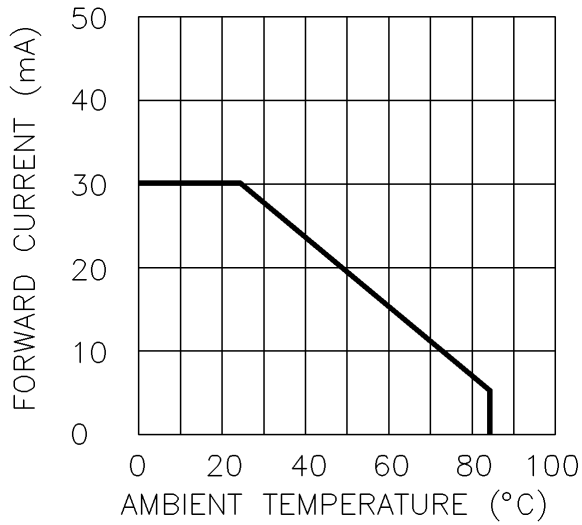
**Forward Current vs. Applied Voltage**



**Luminous Intensity vs. Forward Current**



**Forward Current vs. Ambient Temperature**



**Relative Intensity vs. Wavelength**

