



Features

- * **LOW CURRENT REQUIREMENTS**
- * **HIGH LIGHT OUTPUT**
- * **RELIABLE AND RUGGED**
- * **IC COMPATIBLE**

Absolute Maximum Ratings at T_A=25°C

REVERSE VOLTAGE (<100 μ A).....	4.0V
D.C. FORWARD CURRENT.....	30mA
PULSE CURRENT (1/10 DUTY CYCLE,0.1 ms PULSE WIDTH).....	100 mA
OPERATING TEMPERATURE RANGE.....	-25°C TO +85°C
STORAGE TEMPERATURE RANGE.....	-25°C TO +100°C
LEAD SOLDERING TEMP. (1.6mm FROM BODY).....	260°C FOR 5 SEC.

Eye Safety Information

These LED devices are measured to be AEL Class 2 LED Products per IEC 825-1 and CENELEC EN60825-1 Standards when operated at the maximum data sheet dc drive current. For eye safety, do not stare into the light beam of these LED devices at close range.

Electrical/Optical Characteristics at T_A=25°C

PART NUMBER	LED CHIP		LENS COLOR	WAVELENGTH TYP.		FORWARD VOLTAGE @20mA(V)		LUMINOUS INTENSITY @20mA(mcd)		VIEW ANGLE 2θ 1/2 (deg)
	MATERIAL	EMITTING COLOR		I _F @20mA (nm)		TYP.	MAX.	MIN.	TYP.	
				λ p	λ d					
LT1833-83-UBC2	AlGaInP	ORANGE YELLOW	W.C.	598 ± 5	595 ± 5	2.1	2.4	2000	3200	10

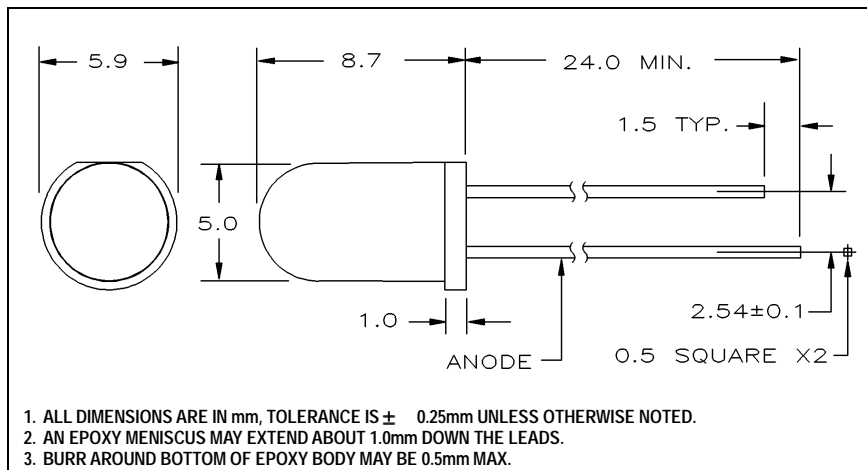
(1) LENS COLOR

W.C....WATER CLEAR

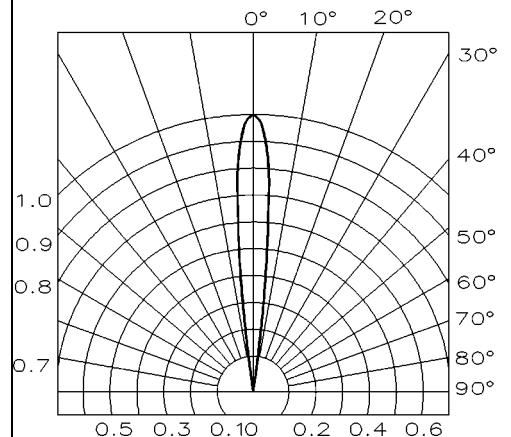
(2) SPECIFICATIONS ARE SUBJECT TO CHANGE WITHOUT NOTICE.

(3) ALL ABOVE COMPONENTS ARE CONSIDERED . DEVIATIONS FROM STATED SPECIFICATIONS WILL REQUIRE A NEW PART NUMBER BE ASSIGNED .

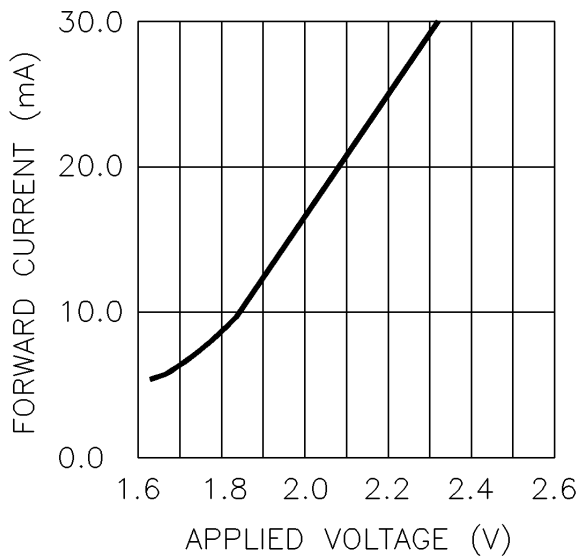
Package Dimensions



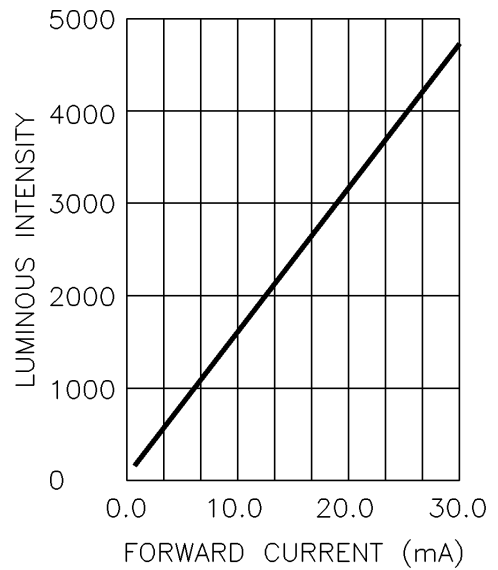
Radiation Pattern



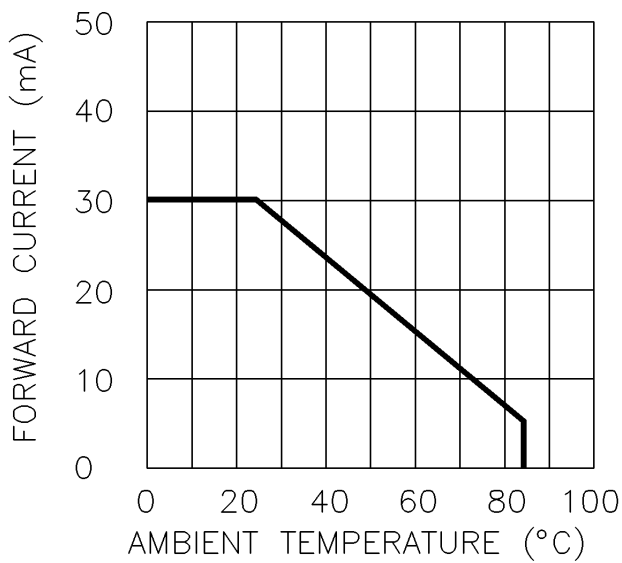
Forward Current vs. Applied Voltage



Luminous Intensity vs. Forward Current



Forward Current vs. Ambient Temperature



Relative Intensity vs. Wavelength

