



LT0373-41-UR

3.0MM ROUND LAMP

Features

- * **LOW CURRENT REQUIREMENTS**
- * **HIGH LIGHT OUTPUT**
- * **RELIABLE AND RUGGED**
- * **IC COMPATIBLE**

Absolute Maximum Ratings at T_A=25°C

REVERSE VOLTAGE (<100 μ A).....	4.0V
D.C. FORWARD CURRENT.....	30mA
PULSE CURRENT (1/10 DUTY CYCLE,0.1 ms PULSE WIDTH).....	100 mA
OPERATING TEMPERATURE RANGE.....	-25°C TO +85°C
STORAGE TEMPERATURE RANGE.....	-25°C TO +100°C
LEAD SOLDERING TEMP. (1.6mm FROM BODY).....	260°C FOR 5 SEC.

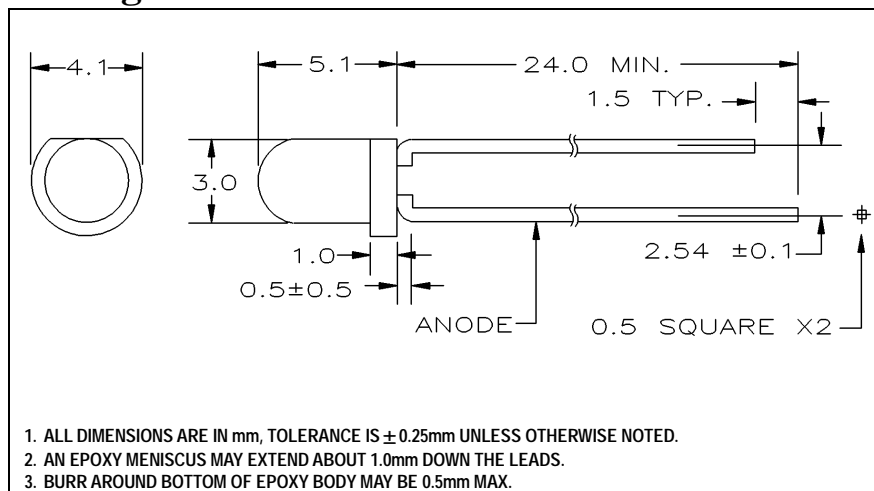
Electrical/optical characteristics at T_A=25°C

PART NUMBER	LED CHIP		LENS COLOR	PEAK WAVELENGTH @20 mA (nm)	FORWARD VOLTAGE @20mA(V)		LUMINOUS INTENSITY @20mA(mcd)		VIEW ANGLE 2 θ 1/2 (deg)
	MATERIAL	EMITTING COLOR			TYP.	MAX.	MIN.	TYP.	
LT0373-41-UR	GaAlAs	DDH RED	W.C.	660	1.9	2.5	150	300	25

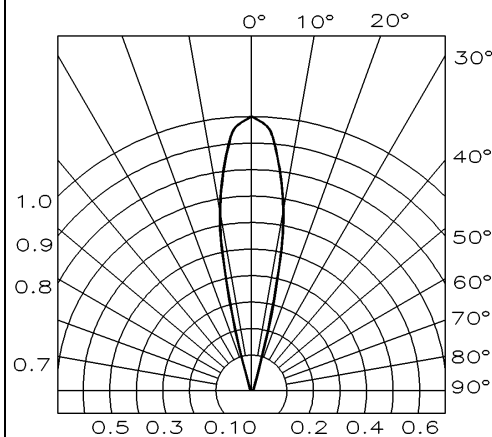
(1) LENS COLOR
W.C...WATER CLEAR

- (2) SPECIFICATIONS ARE SUBJECT TO CHANGE WITHOUT NOTICE.
- (3) ALL ABOVE COMPONENTS ARE CONSIDERED . DEVIATIONS FROM STATED SPECIFICATIONS WILL REQUIRE A NEW PART NUMBER BE ASSIGNED .

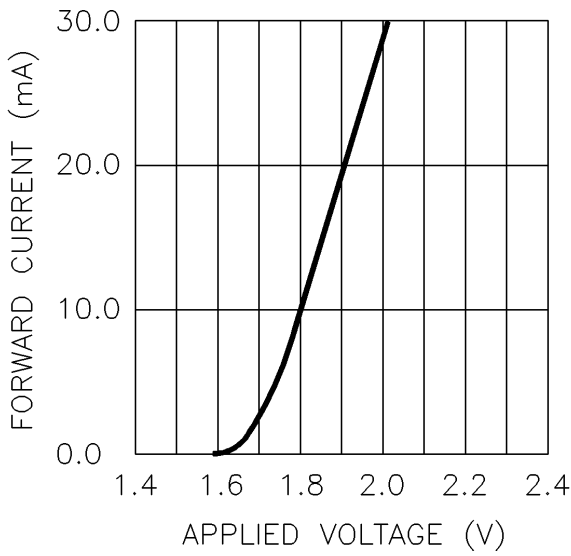
Package Dimensions



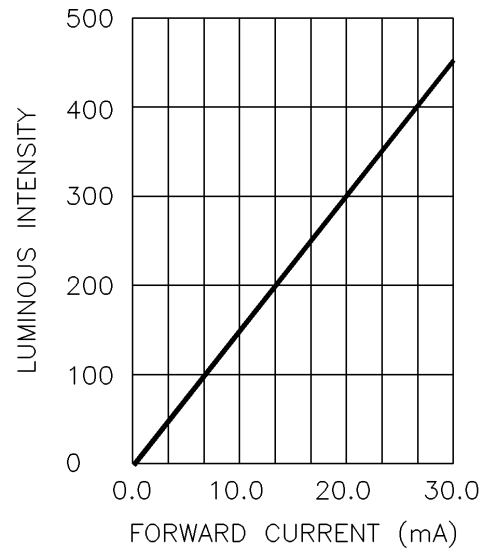
Radiation Pattern



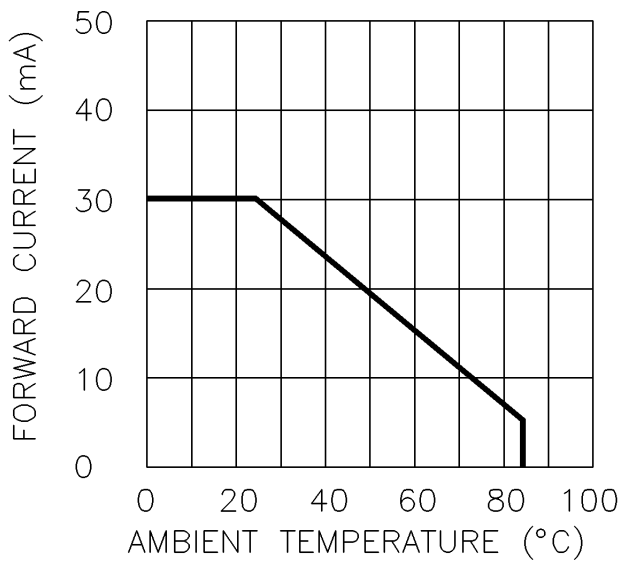
Forward Current vs. Applied Voltage



Luminous Intensity vs. Forward Current



Forward Current vs. Ambient Temperature



Relative Intensity vs. Wavelength

